

PRESSURE MEASUREMENT

FD80B Universal Pressure Transmitter

Product Overview

FD80B series intelligent universal pressure transmitter is a high-precision, high-stability, multi-parameter pressure measurement product. The digital technology combined with the international advanced piezoresistive technology, precision digital temperature compensation and nonlinear correction. LCD 4-bit display, standard signal output, the on-site and control room observations. The reliable explosion-proof structure design and standardized signal output, high accuracy and wide coverage range, suitable for precision measurement of fluid pressure.



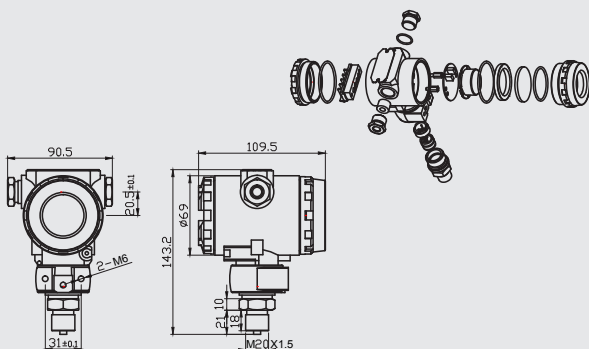
Main Feature

- ◆ Wide measurement range, gauge, absolute, negative pressure can be measured.
- ◆ Laser marking, exquisite appearance
- ◆ IP65 protective design, suitable for wild, open air, etc
- ◆ Meet GB3836 standard, with Explosion-proof certificate
- ◆ Digital circuit design, on-site adjustment button to zero

Performance Index

Item	Technical Data
Pressure Range	0-5kPa ~ 260MPa (Specific refer to selection table)
Pressure Type	Gauge , Absolute , Negative Pressure (Optional)
Overload Pressure	Overload Pressure 150%, Burst Pressure 200%
Accuracy	0.1%F.S / 0.25%F.S / 0.5%F.S Optional
Long-term Stability	0.2%F.S/year
Working Temperature	-20℃ ~ 70℃
Power supply	10V ~ 30VDC (Recommend 24VDC)
Output Signal	4mA ~ 20mA DC / 1V-5VDC / RS485 Optional
Protocol	MODBUS RTU / HART
Electronic connection	M20*1.5(F) Standard. Other can be customized
Protection Grade	IP65
Explosion-proof level	Exia II CT4 Ga、Exd II CT6 Gb、ExtD A21 IP66 T80℃
Products Warranty	12 months

Dimensions



Electrical interface and wiring

