

PRESSURE MEASUREMENT

FD80A Compact Pressure Transmitter

Product Overview

FD80A Series Intelligent Pressure Transmitter is a high-precision, highly stable pressure measurement product. Used digital technology which is the latest application results in the field of sensor manufacturing. The product is small volume, high precision, light weight, wide range measurement, suitable for various industries in precision measurement of fluid pressure.



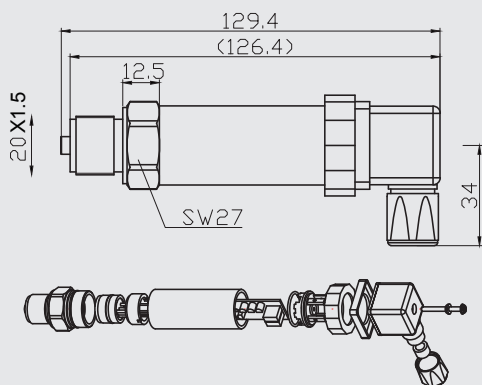
Main Feature

- ◆ Wide measurement range.Gauge,Absolute,Negative pressure
- ◆ Laser marking, exquisite appearance
- ◆ Meet GB3836 standard,with Explosion-proof certificate
- ◆ The sensor adopts digital compensation and non-sexual correction
- ◆ All stainless steel structure, various pressure ports

Performance Index

Item	Technical Parameters
Pressure Range	0-5kPa ~ 260MPa (Specific refer to selection table)
Pressure Type	Gague,Absoulte,Negative Pressure (Optional)
Overload Pressure	Overload Pressure 150%,Burst Pressure 200%
Accuracy	0.25%F.S 0.5%F.S Optional
Long-term Stability	0.2%F.S/Year
Working Temperature	-20℃ ~ 70℃
Power supply	10V ~ 30VDC (24VDC)
Output Signal	4mA ~ 20mADC / 1V-5VDC / RS485 Optional
Protocal	MODBUS RTU / HART
Electronic connection	GDM Connector /Aviation Connector/Direct Cable / IP68 cable
Protection Grade	IP65 IP68
Explosion-proof level	Exia II CT4 Ga、 Exd II CT6 Gb、 ExtD A21 IP66 T80℃
Products Warranty	12 months

Dimensions



Electrical interface and wiring

